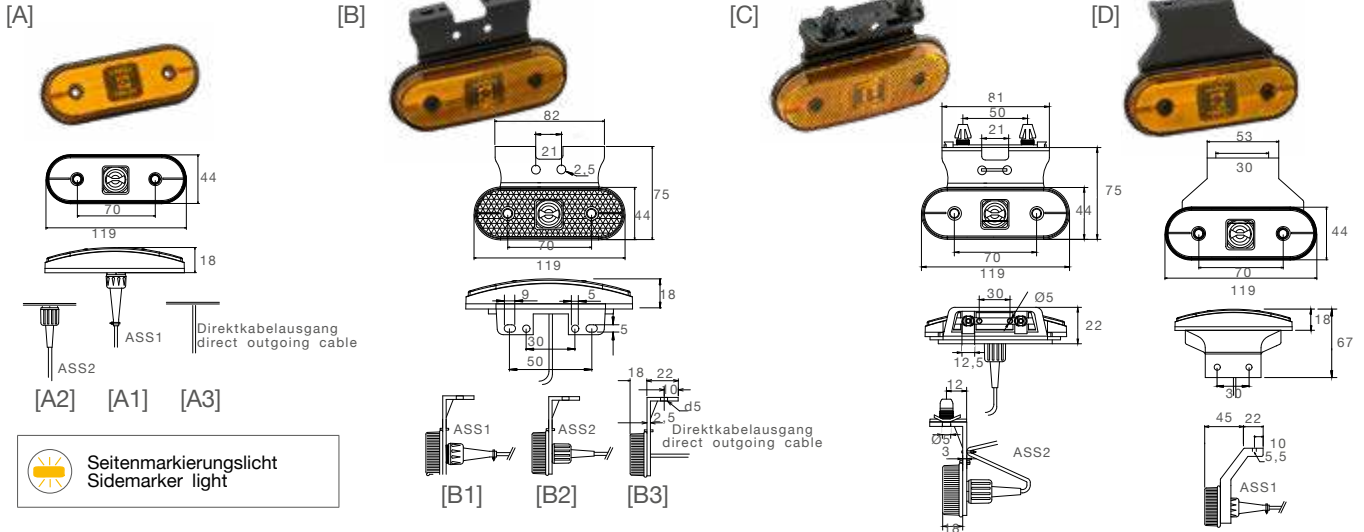




# UNIPOINT I LED

ADR Zone 2 IP 6K9K



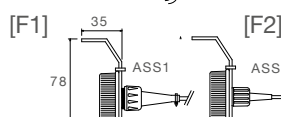
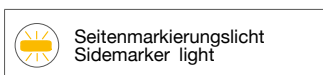
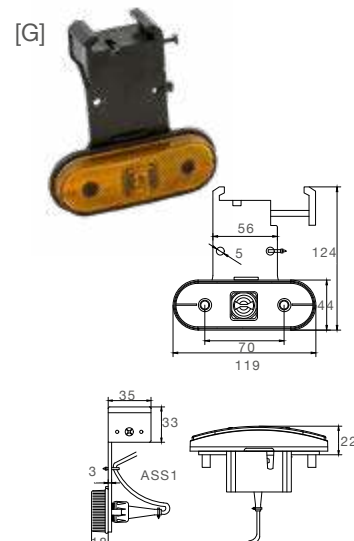
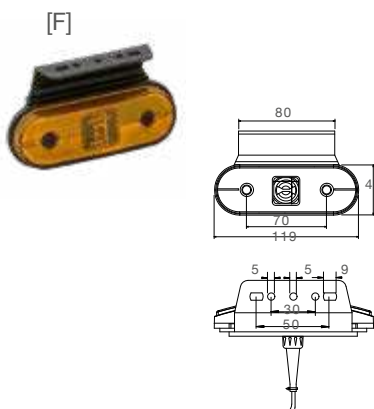
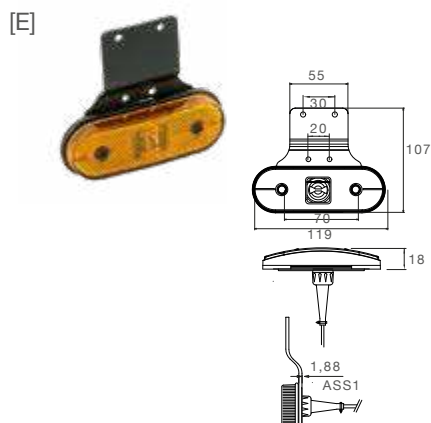
BEST. NR PART NO				ZUSATZ ADD ON	ANSCHLUSS CONNECTOR	
31-2000-014	-/-	LED	24V	[A3]		offenes Ende open end 0,50 m
31-2000-034	-/-	LED	24V	[A3]		offenes Ende open end 1,50 m
31-2004-014	1/-	LED	24V	[A1]		P&R
31-2004-034	1/-	LED	24V	[A1]		P&R
31-2004-044	1/-	LED	24V	[A1]		P&R
31-2004-074	-/-	LED	24V	[A1]		P&R
31-2007-024	-/-	LED	24V	[A2]		2 pol. ASS2 2 pin ASS2
31-2007-234	1/-	LED	24V	[A2]		3 pol. ASS3 3 pin ASS3
31-2007-244	1/-	LED	24V	[A2]		3 pol. ASS3 3 pin ASS3
31-2007-294	1/-	LED	24V	[A2]		2 pol. ASS2 2 pin ASS2
31-2007-304	1/-	LED	24V	[A3]		3 pol. ASS3 3 pin ASS3
31-2007-334	1/-	LED	24V	[A3]		3 pol. ASS3 3 pin ASS3
31-2007-344	-/-	LED	24V	[A3]		2 pol. ASS2 2 pin ASS2
31-2064-014	1/-	LED	24V	[B1]		P&R
31-2064-034	1/-	LED	24V	[B1]		P&R
31-2064-124	1/-	LED	24V	[C]		P&R
31-2064-214	1/-	LED	24V	[D]		P&R





# UNIPOINT I LED

ADR Zone 2 IP 6K9K



BEST. NR PART NO				ZUSATZ ADD ON	ANSCHLUSS CONNECTOR	
31-2064-234	1/-	LED	24V	[D]	P&R	1,50 m
31-2064-414	1/-	LED	24V	[E]	P&R	0,50 m
31-2064-434	1/-	LED	24V	[E]	P&R	1,50 m
31-2064-714	1/-	LED	24V	[F1]	P&R	0,50 m
31-2064-734	1/-	LED	24V	[F1]	P&R	1,50 m
31-2064-774	1/-	LED	24V	[G]	P&R	1,00 m
31-2067-084	-/-	LED	24V	[B2]	2 pol. ASS2 2 pin ASS2	1,50 m
31-2067-094	1/-	LED	24V	[B2]	3 pol. ASS3 3 pin ASS3	0,50 m
31-2067-104	1/-	LED	24V	[B2]	3 pol. ASS3 3 pin ASS3	1,50 m
31-2067-694	-/-	LED	24V	[F2]	3 pol. ASS3 3 pin ASS3	1,50 m
31-2104-014	1/-	LED	24V	[A3]	P&R	0,50 m
31-2104-034	1/-	LED	24V	[A3]	P&R	1,50 m
31-2164-014	1/-	LED	24V	[B3]	P&R	0,50 m
31-2164-034	-/-	LED	24V	[B3]	P&R	1,50 m

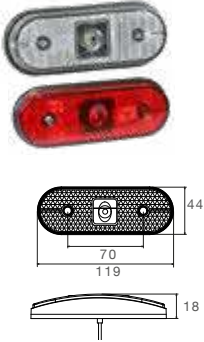




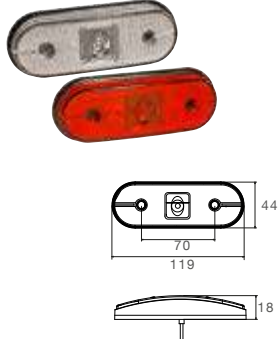
# UNIPOINT I LED

ADR Zone 2 IP 6K9K

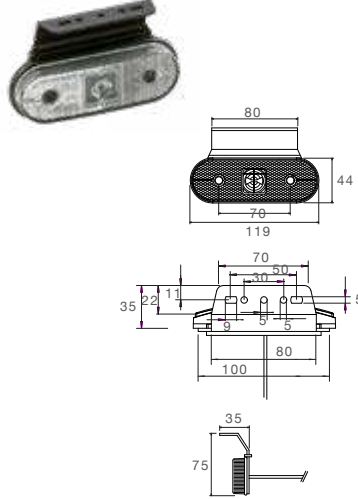
[H]



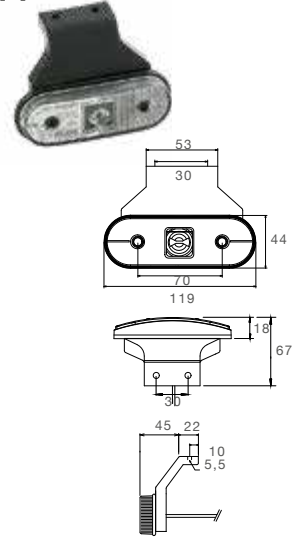
[I]



[J]



[K]



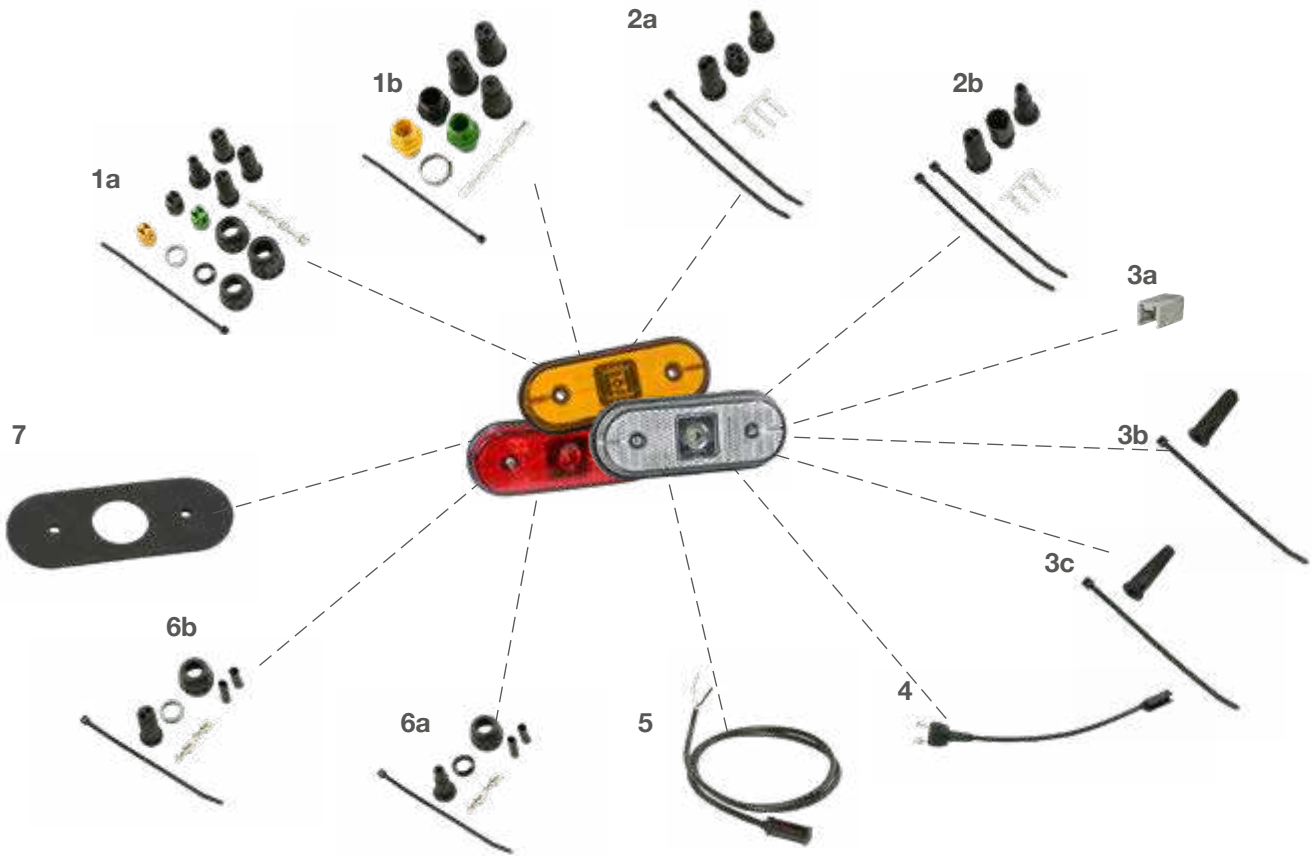
BEST. NR PART NO				ZUSATZ ADD ON			ANSCHLUSS CONNECTOR						
				[H]	[I]	[J]	[K]	Symbol	Symbol	Symbol			
31-7704-014	1/-	LED	24V	[H]				P&R			0,50 m		
31-7704-034	1/-	LED	24V	[H]				P&R			1,50 m		
31-7704-054	1/-	LED	24V	[H]				P&R			3,50 m		
31-7704-094	1/-	LED	24V	[I]				P&R			0,50 m		
31-7704-124	1/-	LED	24V	[I]				P&R			3,50 m		
31-7707-034	1/-	LED	24V	[H]				2 pol. ASS2 2 pin ASS2				1,50 m	
31-7707-104	1/-	LED	24V	[H]				2 pol. ASS3 2 pin ASS3				0,50 m	
31-7707-114	1/-	LED	24V	[H]				2 pol. ASS3 2 pin ASS3				1,50 m	
31-7707-214	-/-	LED	24V	[H]				2 pol. ASS2 2 pin ASS2				0,50 m	
31-7764-014	1/-	LED	24V	[J]				P&R			0,50 m		
31-7764-214	-/-	LED	24V	[K]				P&R			0,50 m		
31-7764-234	-/-	LED	24V	[K]				P&R			1,50 m		
31-7804-014	1/-	LED	24V	[H]				P&R			0,50 m		
31-7804-054	1/-	LED	24V	[H]				P&R			3,50 m		
31-7804-094	1/-	LED	24V	[I]				P&R			0,50 m		
31-7804-124	1/-	LED	24V	[I]				P&R			3,50 m		
31-7804-144	1/-	LED	24V	[H]				P&R			5,00 m		





# UNIPOINT I LED

ZUBEHÖR / ACCESSORIES



## 1 ASS1 & ASS2 Verbinder | ASS1 & ASS2 connector

- (a) 2 pol. weiblich  
2 pin female ..... 13-5626-401
- (b) 2 pol. männlich  
2 pin male ..... 13-5625-991

## 2 ASS3 Verbinder | ASS3 connector

- (a) 3 pol. weiblich  
3 pin female ..... 13-0322-281
- (b) 3 pol. männlich  
3 pin male ..... 13-0332-281

## 3 für P&R Verbinder | for P&R connector

- (a) Verschlusskappen  
caps ..... 15-5971-014
- (b) Endkappen rund  
end caps round ..... 15-5983-024
- (c) Endkappen eckig  
end caps square ..... 15-5729-014

## 4 Zuleitung mit P&R Verbinder | front connection with P&R connector

- 0,25 m ..... 68-5018-004
- 1,5 m ..... 68-5018-024

## 5 Anschlusskabel P&R | connection cable P&R

- 0,5 m ..... 68-5000-014
- 1,5 m ..... 68-5000-034

## 6 Anschluss | connector

- (a) Einfachtülle (lose)  
single grommet (loose) 15-5624-014
- (b) Doppeltülle (lose)  
double grommet (loose) 15-5624-024

## 7 Gummiunterlage | rubber base

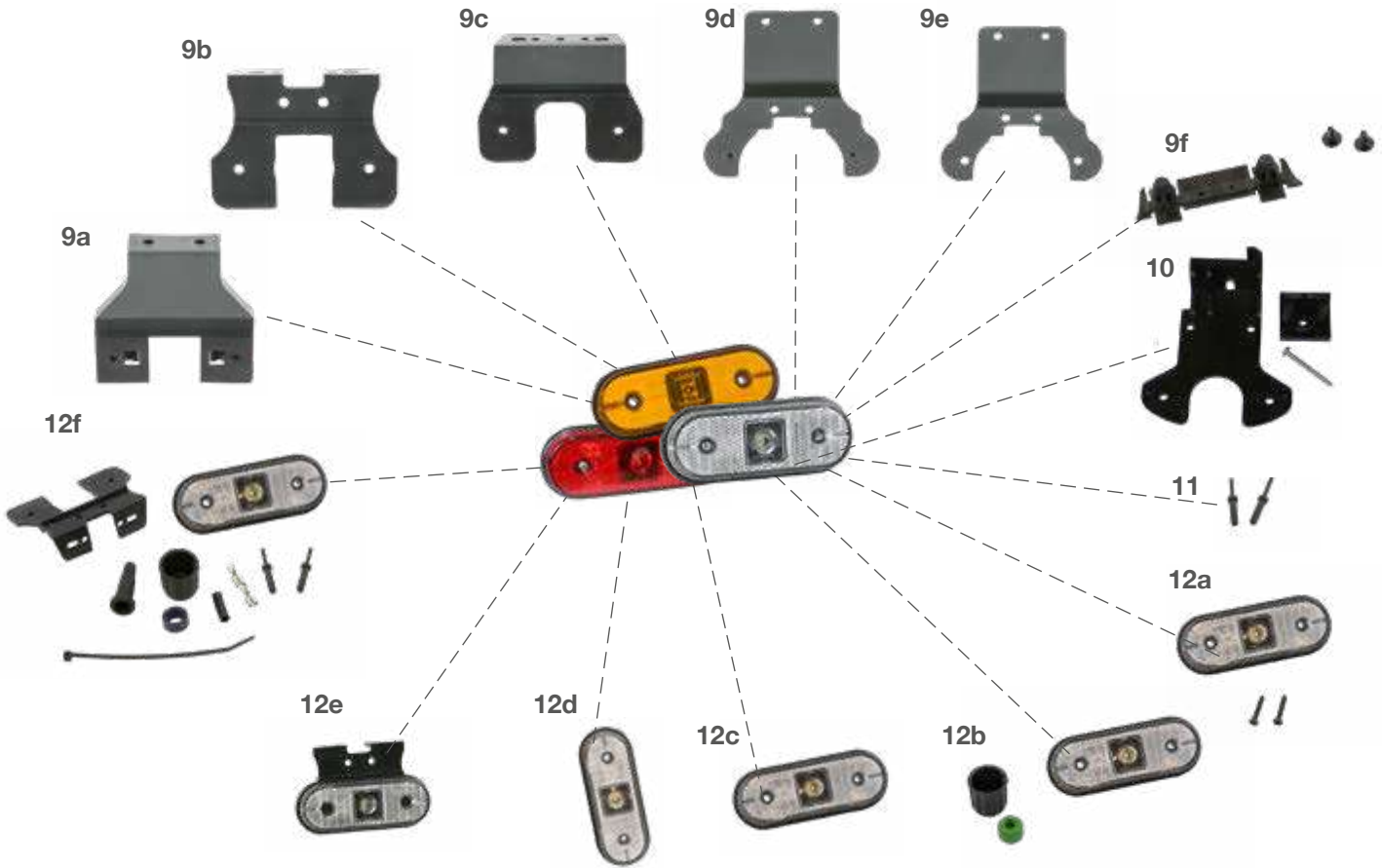
- ..... 15-5319-904

**A.PiERiNGER GmbH**  
**www.ap.works**

2141 Ameis, Obere Hauptstraße 68  
Telefon: +43 / 2425 / 278 00  
E-Mail: vk@ap.co.at



## UNIPOINT | LED



### 9 Haltewinkel | bracket

- (a) schräg nach hinten  
sloping angle to the back  
..... 15-5317-014
- (b) 90° nach hinten  
90° to the back  
..... 15-5319-004
- (c) schräg nach vorne  
sloping to the front  
..... 15-5319-304
- (d) Aufhängeteil gekröpft (Anbau mit Schrauben)  
crumped bracket (screw mounting)  
..... 15-5317-004
- (e) Aufhängeteil gekröpft (Anbau mit Nieten)  
crumped bracket (expanding rivet-mounting)  
..... 15-5317-024
- (f) Schnellhalter for SML  
quick fixation bracket for SML  
..... 15-2128-285

### 10 Verriegelungswinkel | locking bracket

- Verriegelungswinkel  
locking angle  
..... 15-5322-004

### 11 Sprezniete | expanding rivet

- 14-15 mm ..... 14-4596-004

### 12 Ersatzleuchte weiß ohne Schutzhaube | spare part lamp white without protection cap

- (a) mit Schrauben  
with screws ..... 21-7700-004
- (b) geschlossen mit Bajonett-Mutter  
closed by bayonet-nut  
..... 21-7700-014
- (c) Standard Version  
standard version ..... 21-7700-054
- (d) vertikal  
vertical ..... 21-7702-014
- (e) mit 90° Haltewinkel nach hinten  
with 90° bracket to the back  
..... 21-7700-024
- (f) mit 90° Haltewinkel nach hinten  
(komplett)  
with 90° bracket to the back  
(complete)  
..... 21-7700-035

