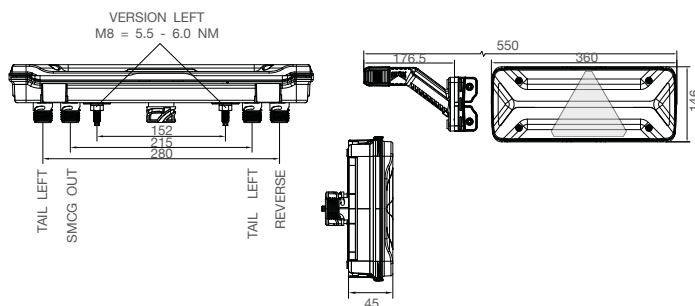




ECOLED II

ISO 13207-1 ADR Zone 2 IP 54



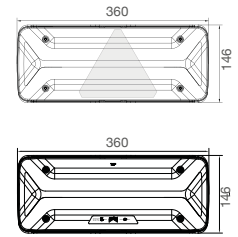
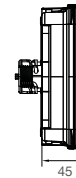
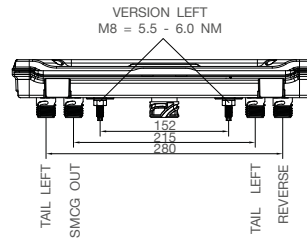
Blinklicht Direction indicator	Rücklicht Tail light	Bremslicht Stop light	Nebelschlusslicht Fog light
Rückfahrlicht Reverse light	Dreieckrückstrahler Triangle reflector		

BEST. NR PART NO	Box	←	→	LED	V	LED	ZUSATZ	ANSCHLUSS
							ADD ON	CONNECTOR
25-4121-001	1/8	●		LED	12V 24V			7 pol. ASS2.1 7 pin ASS2.1 ♂
25-4121-011	1/8	●		LED	12V 24V			7 pol. ASS2.1 7 pin ASS2.1 ♂ 4 x 2 pol. ASS2 4 x 2 pin ASS2
25-4121-021	1/8	●		LED	12V 24V	LED		7 pol. ASS2.1 7 pin ASS2.1 ♂ 4 x 2 pol. ASS2 4 x 2 pin ASS2
25-4121-031	1/8	●		LED	12V 24V			7 pol. AMP 7 pin AMP ♂
25-4121-041	1/8	●		LED	12V 24V			7 pol. AMP 7 pin AMP ♂ 4 x 2 pol. Superseal 4 x 2 pin Superseal
25-4121-051	1/8	●		LED	12V 24V	LED		7 pol. AMP 7 pin AMP ♂ 4 x 2 pol. Superseal 4 x 2 pin Superseal
25-4120-001	1/8		●	LED	12V 24V			7 pol. ASS2.1 7 pin ASS2.1 ♂
25-4120-011	1/8		●	LED	12V 24V			7 pol. ASS2.1 7 pin ASS2.1 ♂ 4 x 2 pol. ASS2 4 x 2 pin ASS2
25-4120-021	1/8		●	LED	12V 24V	LED		7 pol. ASS2.1 7 pin ASS2.1 ♂ 4 x 2 pol. ASS2 4 x 2 pin ASS2
25-4120-031	1/8		●	LED	12V 24V			7 pol. AMP 7 pin AMP ♂
25-4120-041	1/8		●	LED	12V 24V			7 pol. AMP 7 pin AMP ♂ 4 x 2 pol. Superseal 4 x 2 pin Superseal
25-4120-051	1/8		●	LED	12V 24V	LED		7 pol. AMP 7 pin AMP ♂ 4 x 2 pol. Superseal 4 x 2 pin Superseal



ECOLED II SMARTBOX

ISO 13207-1 ADR Zone 2 IP 54



Blinklicht Direction indicator	Rücklicht Tail light	Bremslicht Stop light	Nebelschlusslicht Fog light
Rückfahrlicht Reverse light			

BEST. NR PART NO		←	→				ZUSATZ	ANSCHLUSS
							ADD ON	CONNECTOR
25-4126-001	1/-	●	●	LED	12V 24V			7 pol. ASS2.1 7 pin ASS2.1 ♂
25-4126-011	1/-	●	●	LED	12V 24V			7 pol. ASS2.1 7 pin ASS2.1 ♂
25-4126-031	1/-	●	●	LED	12V 24V			7 pol. AMP 7 pin AMP ♂
25-4126-041	1/-	●	●	LED	12V 24V			7 pol. AMP 7 pin AMP ♂
25-4126-061	1/-	●	●	LED	12V 24V			7 pol. AMP 7 pin AMP ♂

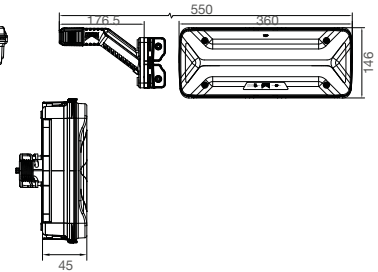
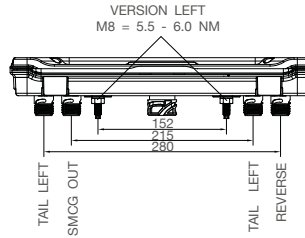


ECOLED II Truck Version

ISO
13207-1

ADR
Zone 2

IP 54



Blinklicht Direction indicator	Rücklicht Tail light	Bremslicht Stop light	Nebelschlusslicht Fog light
Rückfahrlicht Reverse light			

BEST. NR							ZUSATZ	ANSCHLUSS
PART NO							ADD ON	CONNECTOR
25-4121-061	1/8	●		LED	12V 24V			7 pol. AMP 7 pin AMP ♂
25-4120-061	1/8		●	LED	12V 24V			7 pol. AMP 7 pin AMP ♂



ECOLED II

ZUBEHÖR / ACCESSORIES



- 1** **Lichtscheibe | lens**
mit Dreieck 18-8536-001
- ohne Dreieck 18-8536-011

- 2** **Umrißarm LED inkl. Haltewinkel und Schrauben**
end outline marker LED incl. bracket and screws
- (a) ASS2 links 12V / 24V
ASS2 left 12V / 24V 31-3103-204
- ASS2 rechts 12V / 24V
ASS2 right 12V / 24V 31-3102-204
- (b) Superseal links 12V / 24V
Superseal left 12V / 24V .. 31-3103-214
- Superseal rechts 12V / 24V
Superseal right 12V / 24V 31-3102-214

- 3** **Haltewinkel + Schrauben | bracket + screws**
..... 15-5300-294

- 4** **ASS1 & ASS2 Verbinder |**
ASS1 & ASS2 connector
- (a) 2 pol. weiblich
2 pin female 13-5626-401
- (b) 7 pol. weiblich
7 pin female 13-5626-631
- (c) Verschlusskappe
closed connection 15-5623-304

- 5** **Superseal Verbinder |**
Superseal connector
- 2 pol. weiblich
2 pin female 15-7002-044

- 6** **AMP Verbinder |**
AMP connector
- 7 pol. weiblich
7 pin female 15-7002-024

- 7** **Schutzhaube | protection cap**
..... 25-7537-154